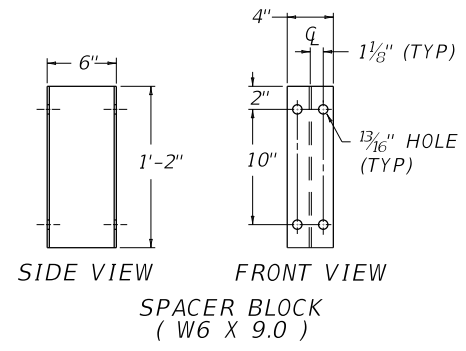
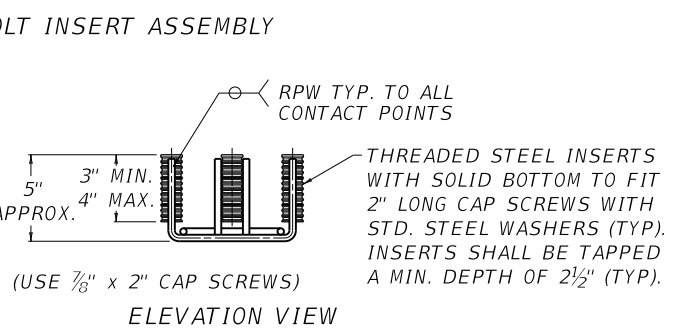
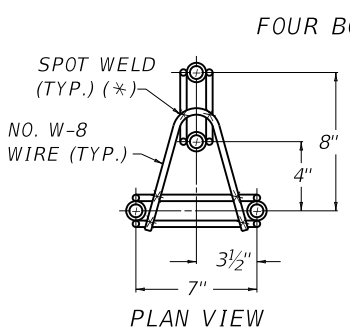
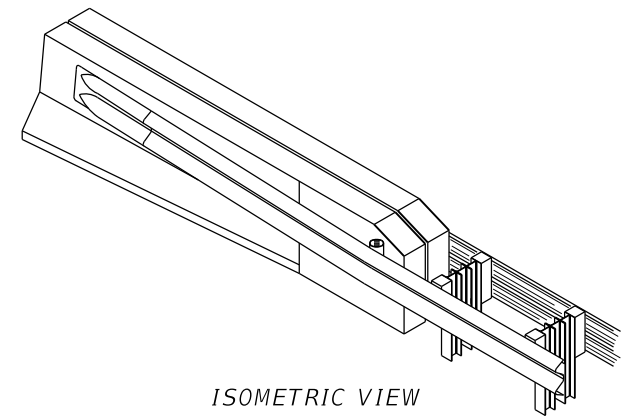
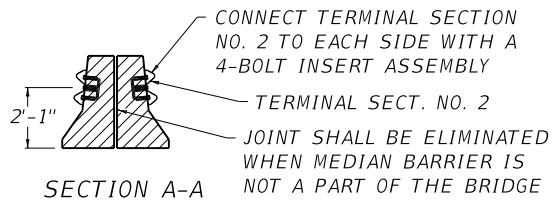
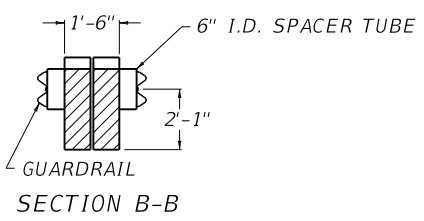


- ① OFFSET BLOCK
- ② GUARDRAIL POST
- ③ STEEL SPACER BLOCKS
- ④ 6" I.D. x 10" LONG STEEL SPACER TUBE, SCH. 40 GALV. PIPE (ATTACH TO GUARDRAIL ONLY).



USE WITH CUR. STD. DWG. RBR-010

KENTUCKY DEPARTMENT OF HIGHWAYS

GUARDRAIL CONNECTOR TO CONCRETE MEDIAN BARRIER END

STANDARD DRAWING NO. RBC-100-05

SUBMITTED *[Signature]* DATE 02-26-20

APPROVED *[Signature]* DATE 02-26-20

~ NOTES ~

SEE CURRENT STANDARD DRAWING NUMBER RBC-100N FOR ALL NOTES AND APPLICABLE MAINTENANCE NOTES.

NOT FOR NEW CONSTRUCTION. ONLY USE FOR REPAIRING OR RESTORING EXISTING HARDWARE.